

DF69 (A858)

PARTS CATALOG

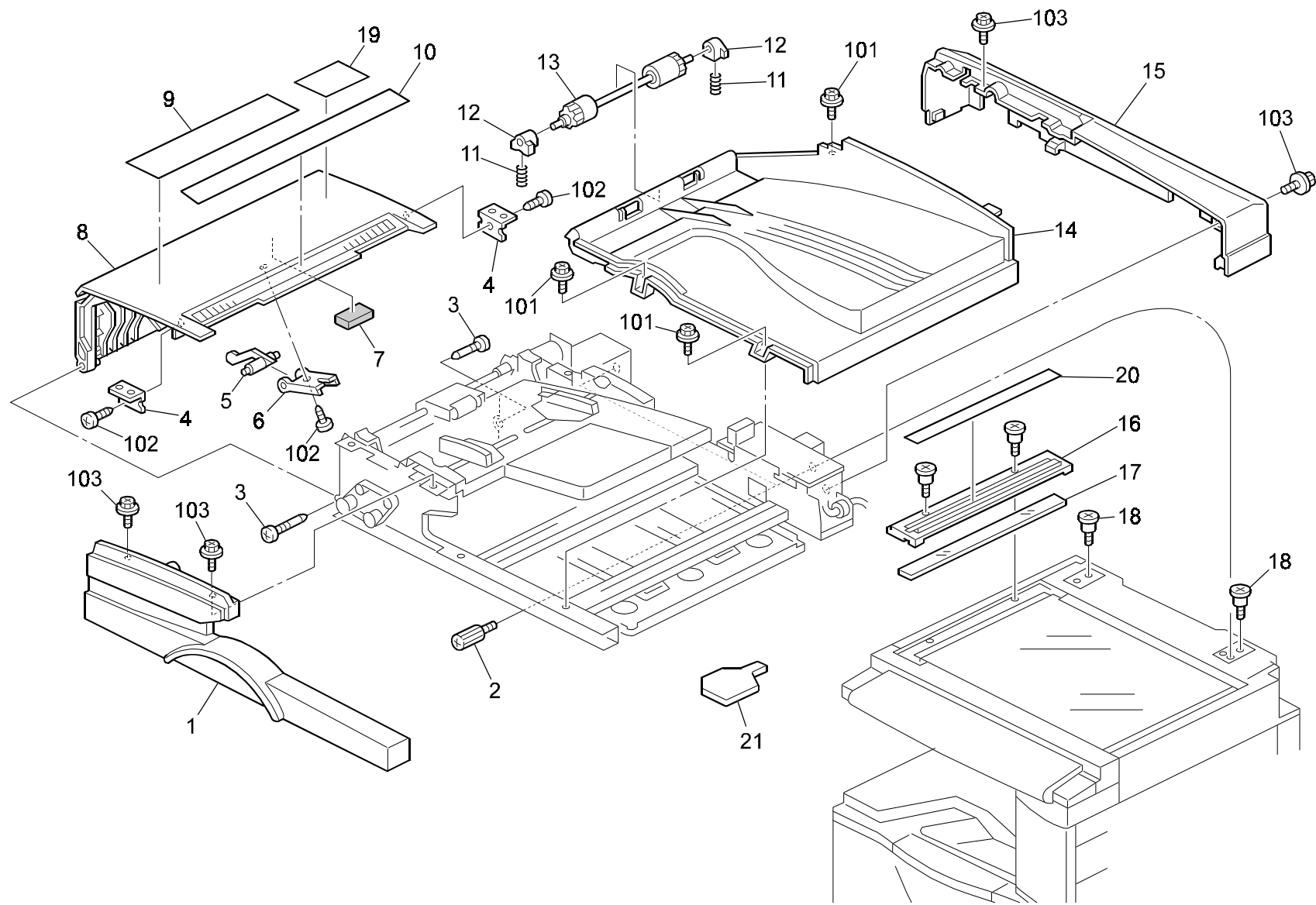
INTRODUCTION

This chapter instructs you the numbers and names of parts on this machine.

INDEX to PARTS CATALOG

1.ARDF 1 (A858)	2
2.ARDF 2 (A858)	4
3.ARDF 3 (A858)	6
4.ARDF 4 (A858)	8
5.ARDF 5 (A858)	10
6.ARDF 6 (A858)	12
7.ARDF 7 (A858)	14
8.DECAL AND DOCUMENT (A858)	16
PARTS INDEX	19

1.ARDF 1 (A858)

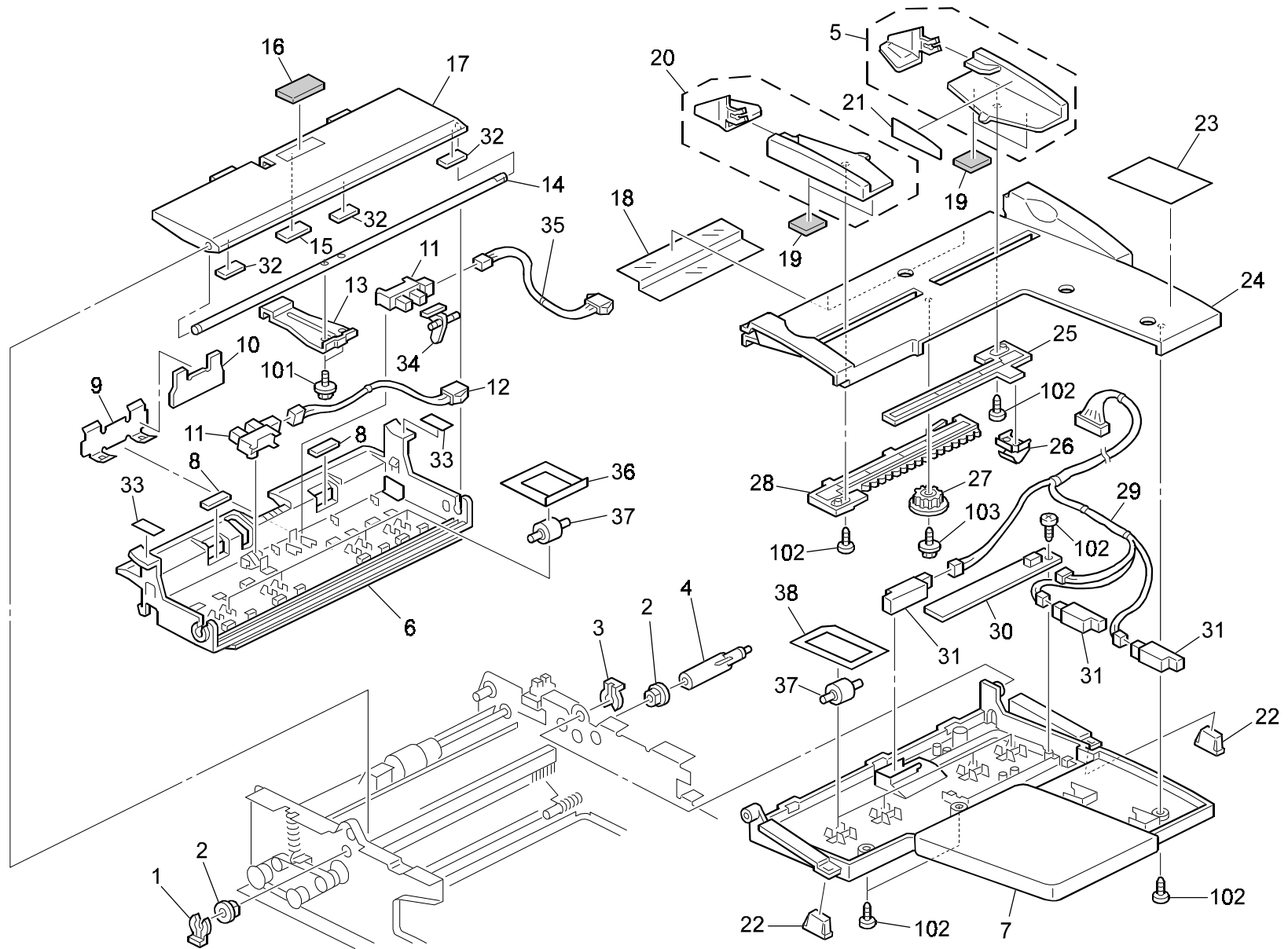


1.ARDF 1 (A858)

Index No.	Part No.	Description	Q'ty Per Assembly
1	A859 4811	Front Cover	1
2	A628 3115	Knob Screw - M4	1
3	5446 2824	Screw - Duplex Guide Plate	2
4	A859 4873	Positioning Plate	2
5	A859 4871	Actuator - Original Sensor	1
6	A859 4872	Actuator Bracket	1
7	A859 4881	Cushion Paper Feed	1
8	A859 4841	Left Cover	1
9	A858 6011	Decal Misfeed Removal	1
10	A859 6021	Decal Size Indication	1
11	AA06 3311	Transport Roller Spring	2
12	A859 4836	Bushing Exit Driven Roller	2
13	A859 4837	Exit Driven Roller	1
14	A859 4831	Upper Cover	1
15	A859 4821	Rear Cover	1
16	A859 7101	Scale	1
17	AC01 3004	Exposure Glass	1
18	A859 7211	Stepped Screw	2
19	A859 6052	Decal Exposure Glass	1
20	A858 6051	Decal Scale	1
20	A859 6061	Decal Original Scale LT	1
21	A628 3118	Screw Driver - DF	1

Index No.	Part No.	Description	Q'ty Per Assembly
101	0451 3006B	Tapping Screw - M3x6	
102	0452 3008B	Tapping Screw - M3x8	
103	0451 3008H	Tapping Screw - 3x8	

2.ARDF 2 (A858)

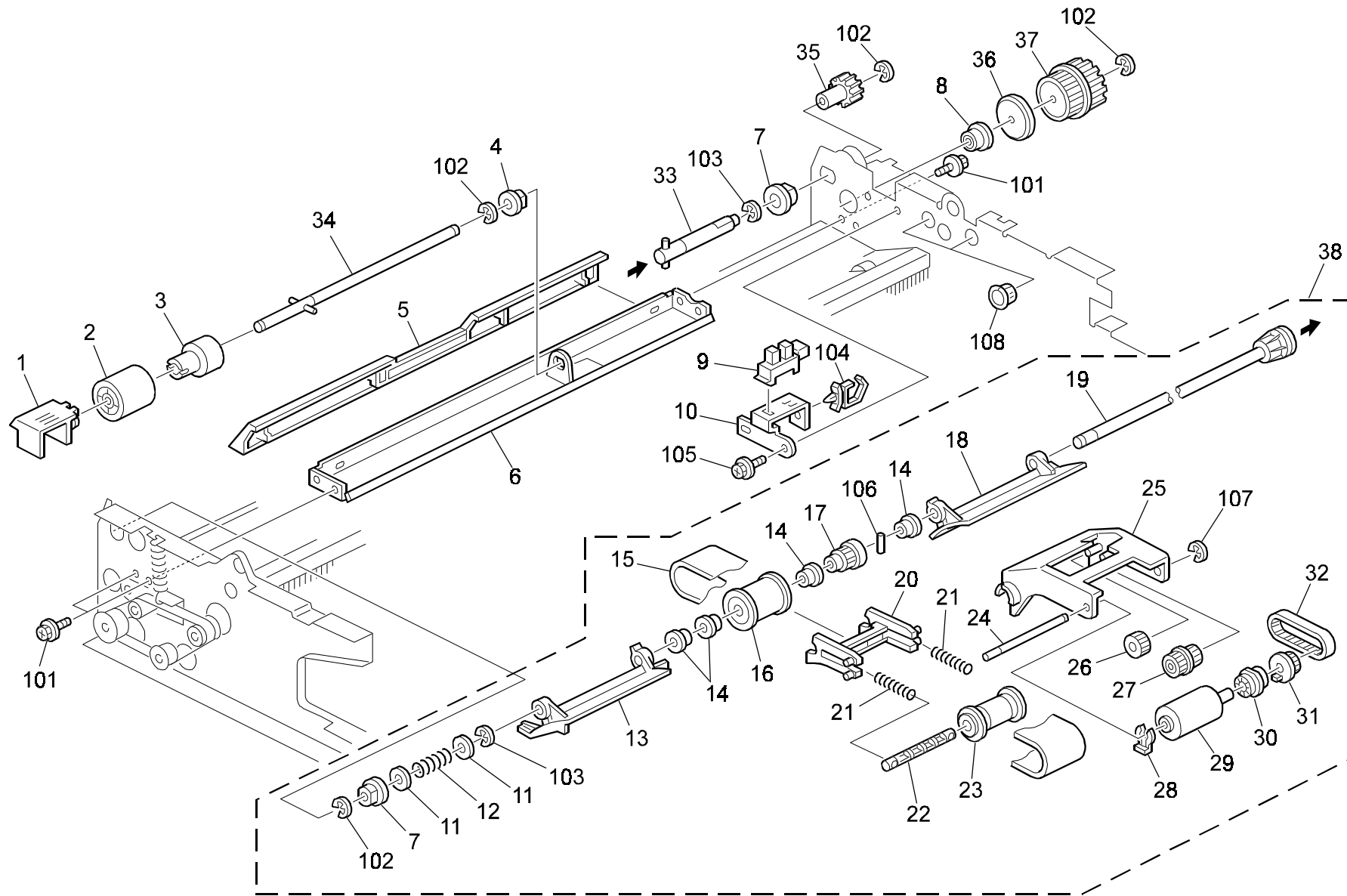


2.ARDF 2 (A858)

Index No.	Part No.	Description	Q'ty Per Assembly
1	5447 2681	Snap Ring	1
2	H060 2126	Bushing - M6x7	2
3	5215 2621	Snap Ring - M6	1
4	A859 2355	Lever Pressure Plate	1
5	A859 4720	Side Fence Back	1
6	A859 2311	Guide Plate Paper Feed	1
7	A859 4631	Paper Tray Behind	1
8	A859 2318	Cushion Base	2
9	A859 2317	Guide Separation Pad	1
10	A859 2315	Separation Pad	1
11	AW02 0075	Photointerruptor	2
12	A859 5705	Sensor Relay Harness	1
13	A859 2353	Pressure Plate Base	1
14	A859 2354	Shaft Base	1
15	A859 4876	Cushion Left	1
16	A859 2352	Pad Pressure Plate	1
17	A859 2351	Base Paper Feed	1
18	A858 4681	Sheet - Paper Tray	2
19	A351 4951	Left Side Guide Pad	2
20	A859 4710	Side Fence Front	1
21	A859 6041	Decal Side Fence	1
22	G012 1531	Magnet	2
23	A859 6031	Decal Paper Tray	1
24	A859 4621	Paper Tray	1
25	A859 4662	Rack Rear Side Fence	1
26	A859 4663	Electrode Plate Side Fence	1
27	A859 4665	Gear - 16Z	1
28	A859 4661	Rack Front Side Fence	1
29	A859 5702	Original Tray Harness	1
30	A859 5550	Paper Size Sensor Board	1
31	AW01 0087	Photo Sensor - Ass'y	3
32	A859 2356	Cushion Base Bottom	3
33	A858 6022	Decal Blue	2
34	A858 2319	Feeler Reverse	1
35	A858 5706	Reverse Sensor Harness	1

Index No.	Part No.	Description	Q'ty Per Assembly
36	A858 2313	Spring Plate Pressure Roller Feed	4
37	A858 4671	Roller Driven	8
38	A858 4676	Spring Plate Pressure Roller	4
101	0451 3006B	Tapping Screw - M3x6	
102	0452 3008B	Tapping Screw - M3x8	
103	0450 3008B	Tapping Screw - M3x8	

3.ARDF 3 (A858)

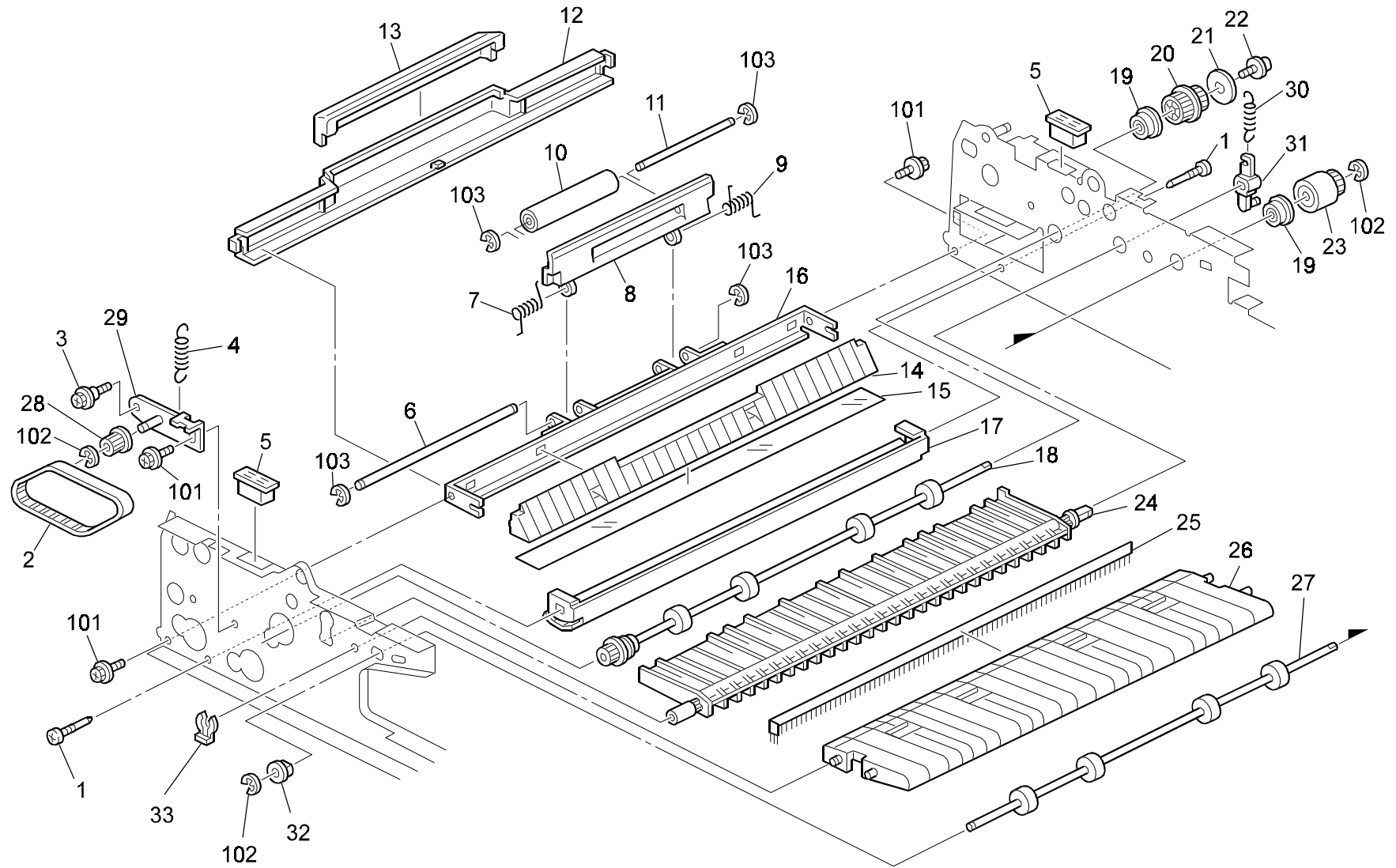


3.ARDF 3 (A858)

Index No.	Part No.	Description	Q'ty Per Assembly
1	A859 2220	Cover Reverse Roller	1
2	A859 2241	Reverse Roller	1
3	A247 2900	Torque Limiter - 53MNXM	1
4	5053 0447	Bushing - 6mm	1
5	A859 1621	Separation Guide	1
6	A859 1610	Separation Stay	1
7	5304 1639	Bushing - 8mm	2
8	A859 2230	Ball Bearing - 6x13x5	1
9	AW02 0075	Photointerruptor	1
10	A859 1123	Bracket Sensor	1
11	AA13 2013	Spacer	2
12	AA06 3315	Spring - Belt Drive Shaft	1
13	A859 2132	Front Guide Paper Feed	1
14	A628 1225	Bushing - 8mm	4
15	A859 2141	Belt Paper Feed	1
16	A859 2114	Drive Roller Paper Feed Belt	1
17	A859 2121	Gear - 22Z	1
18	A859 2131	Rear Guide Paper Feed	1
19	A859 2120	Drive Shaft Paper Feed Belt	1
20	A859 2110	Belt Holder	1
21	AA06 3318	Spring - Belt Guide Roller	2
22	A859 2112	Drive Shaft Paper Feed Belt	1
23	A859 2113	Drivem Roller Paper Feed Belt	1
24	A859 2162	Shaft Pick Up Roller	1
25	A859 2151	Holder Pick Up	1
26	A859 2167	Gear - 22Z	1
27	A859 2168	Pulley - 22Z	1
28	5206 2686	Snap Ring	1
29	A859 2161	Pickup Roller	1
30	A859 2163	Collar Pick Up	1
31	A859 2164	Pulley - 2Z	1
32	A859 2166	Timing Belt - 2XL	1
33	A859 4216	Shaft Electromagnetic Clutch	1
34	A859 2210	Shaft Reverse Roller	1
35	A858 4231	Gear - 20Z	1

Index No.	Part No.	Description	Q'ty Per Assembly
36	A859 4222	Flange - Pulley	1
37	A858 4221	Gear - 31Z	1
38	A859 2100	Belt Unit Paper Feed	1
101	0802 5265	Tapping Screw - M3x6	
102	0720 0040B	Retaining Ring - M4	
103	0720 0060B	Retaining Ring - M6	
104	1105 0310	Harness Clamp - LWS-1S	
105	0451 3006B	Tapping Screw - M3x6	
106	0632 0100	Parallel Pin - M2x10	
107	0720 0030B	Retaining Ring - M3	
108	1106 0193	Bushing - 7.9mm	

4.ARDF 4 (A858)

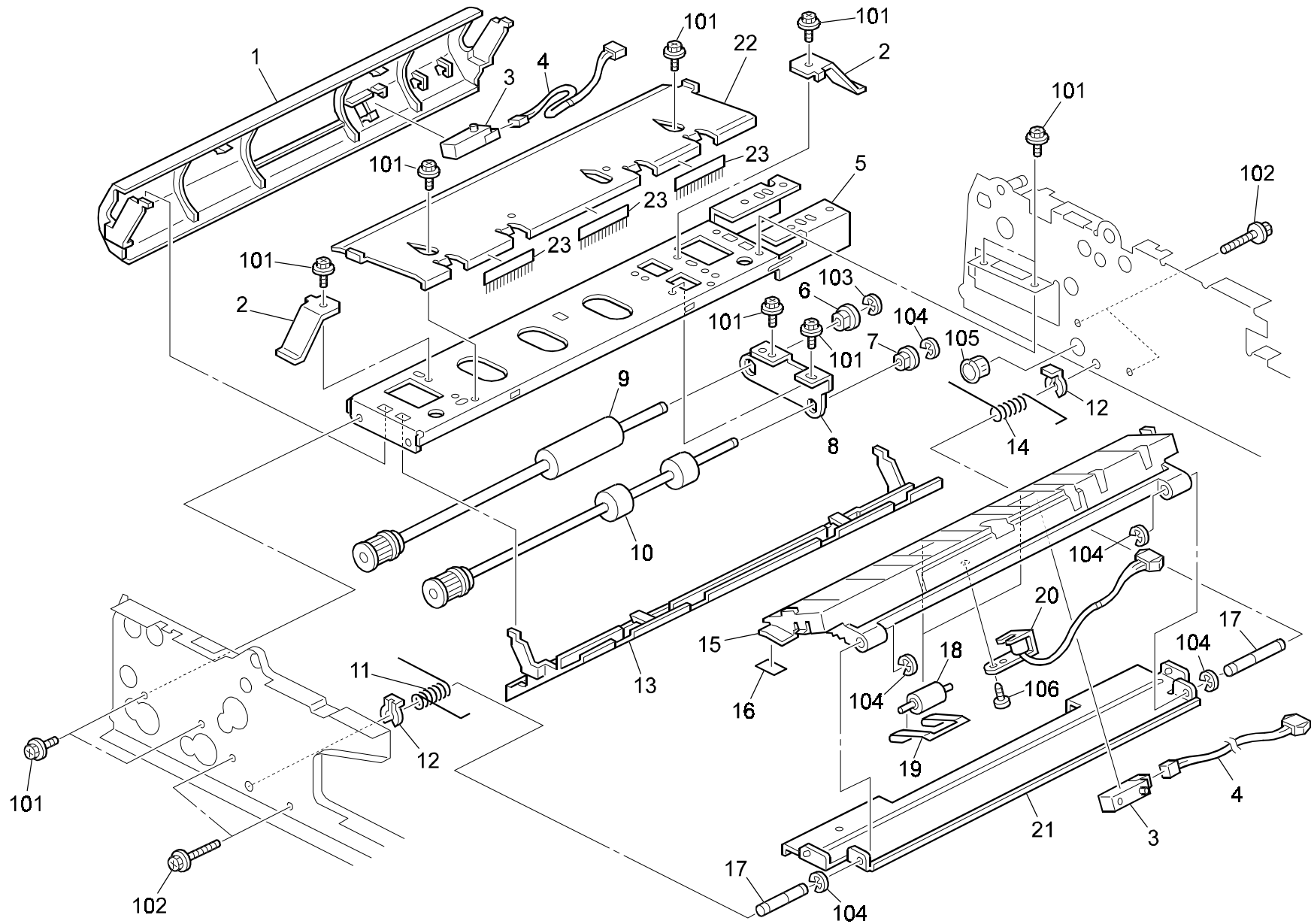


4.ARDF 4 (A858)

Index No.	Part No.	Description	Q'ty Per Assembly
1	5446 2824	Screw - Duplex Guide Plate	2
2	A859 4331	Timing Belt - 2XL	1
3	A697 1125	Stepped Screw - Lever	1
4	A859 4341	Tension Spring	1
5	A859 1181	Magnet Catch	2
6	A859 3317	Shaft Contact Point	1
7	A859 3318	Torsion Spring Front	1
8	A859 3316	Lever Pullout	1
9	A859 3319	Torsion Spring Rear	1
10	A859 3311	Transport Driven Roller	1
11	A859 3313	Driven Shaft Pressure	1
12	A859 4851	Left Lower Cover	1
13	A859 4856	Cover Driven	1
14	A859 1721	Left Lower Guide	1
15	A859 1722	Entrance Guide	1
16	A859 1710	Left Lower Stay	1
17	A859 3511	Guide Exposure Glass	1
18	A859 3130	Exit Roller Drive	1
19	A859 2230	Ball Bearing - 6x13x5	2
20	A859 4271	Pulley - 31/32Z	1
21	A859 4272	Flange	1
22	A590 2214	Screw - M3X5	1
23	A858 4392	Torque Limiter	1
24	A858 3710	Exchange Powl Reverse	1
25	A859 3225	Discharge Brush	1
26	A858 4861	Tray Reverse	1
27	A858 3140	Reverse Roller Drive	1
28	A859 4321	Pulley-20z	1
29	A859 4311	Adjusting Pin-m6	1
30	A858 3717	Tension Spring Exchange Powl	1
31	A858 3715	Lever Exchange Powl	1
32	5053 0447	Bushing - 6mm	1
33	5447 2681	Snap Ring	1

Index No.	Part No.	Description	Q'ty Per Assembly
101	0451 3006B	Tapping Screw - M3x6	
102	0720 0040B	Retaining Ring - M4	
103	0720 0030B	Retaining Ring - M3	

5.ARDF 5 (A858)

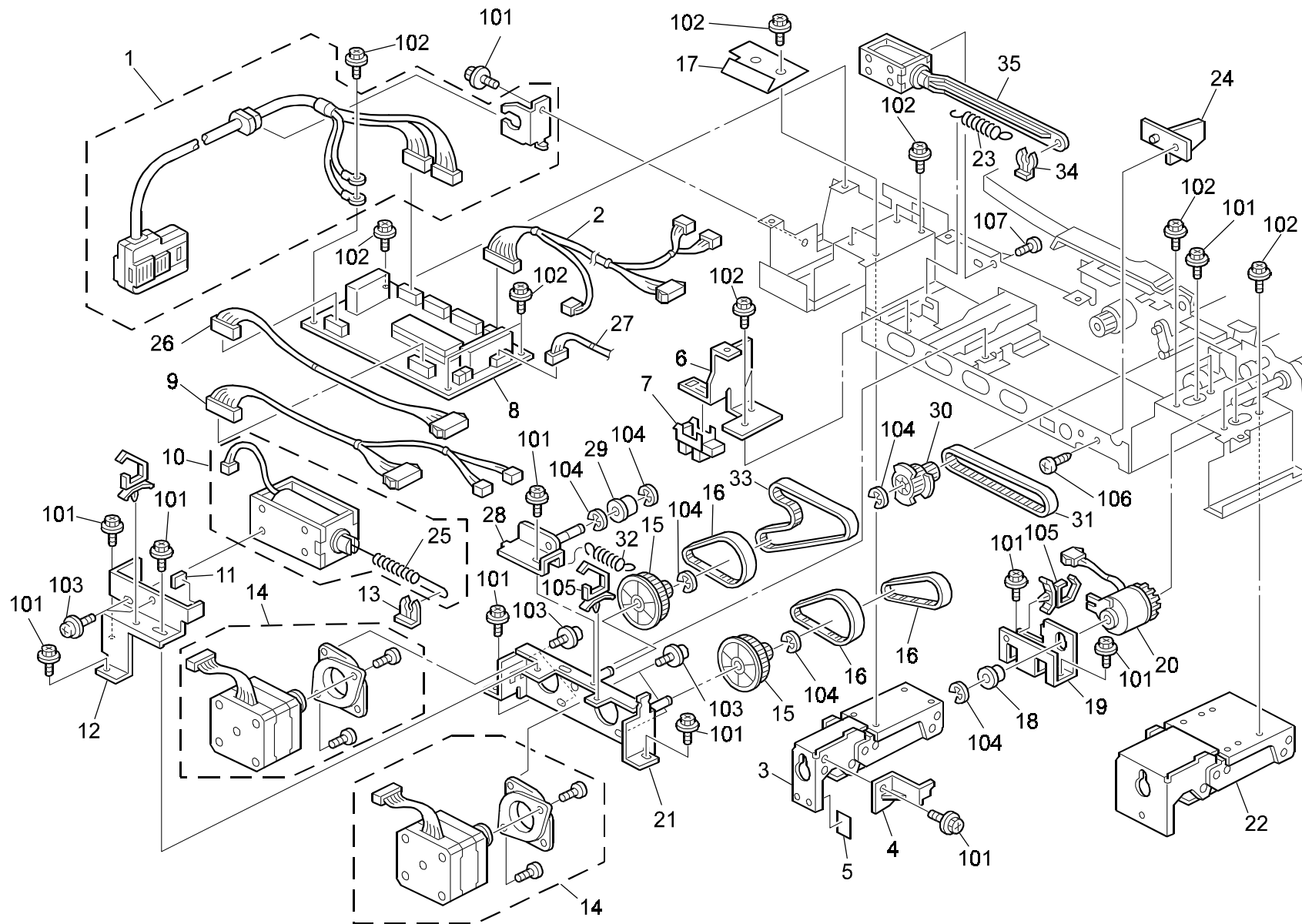


5.A RDF 5 (A858)

Index No.	Part No.	Description	Q'ty Per Assembly
1	A859 3210	Guide Plate Transport Roller	1
2	A859 1322	Spring Plate	2
3	AW01 0076	Photosensor - PS-117D1	2
4	A859 5705	Sensor Relay Harness	2
5	A859 1311	Left Stay	1
6	5304 1639	Bushing - 8mm	1
7	5053 0447	Bushing - 6mm	1
8	A859 1320	Bracket Transport Roller	1
9	A859 3110	Transport Roller	1
10	A859 3120	Transport Roller Middle	1
11	A859 3431	Spring Front	1
12	5447 2681	Snap Ring	2
13	A859 3220	Guide Plate Upper Exit	1
14	A859 3430	Spring Rear	1
15	A859 3411	Exit Guide Plate	1
16	A859 6023	Decal Green	1
17	A859 3412	Shaft Exit Guide Plate	2
18	A859 3420	Middle Driven Roller	2
19	A859 3425	Spring Plate	2
20	H511 5006	Stamper	1
21	A859 3413	Cover Exit Guide Plate	1
22	A858 3231	Guide Plate Reverse	1
23	A858 3236	Discharge Brush L50	3

Index No.	Part No.	Description	Q'ty Per Assembly
101	0451 3006B	Tapping Screw - M3x6	
102	0451 4014B	Tapping Screw - M4x14	
103	0720 0060B	Retaining Ring - M6	
104	0720 0040B	Retaining Ring - M4	
105	1106 0193	Bushing - 7.9mm	
106	0452 3008B	Tapping Screw - M3x8	

6.ARDF 6 (A858)

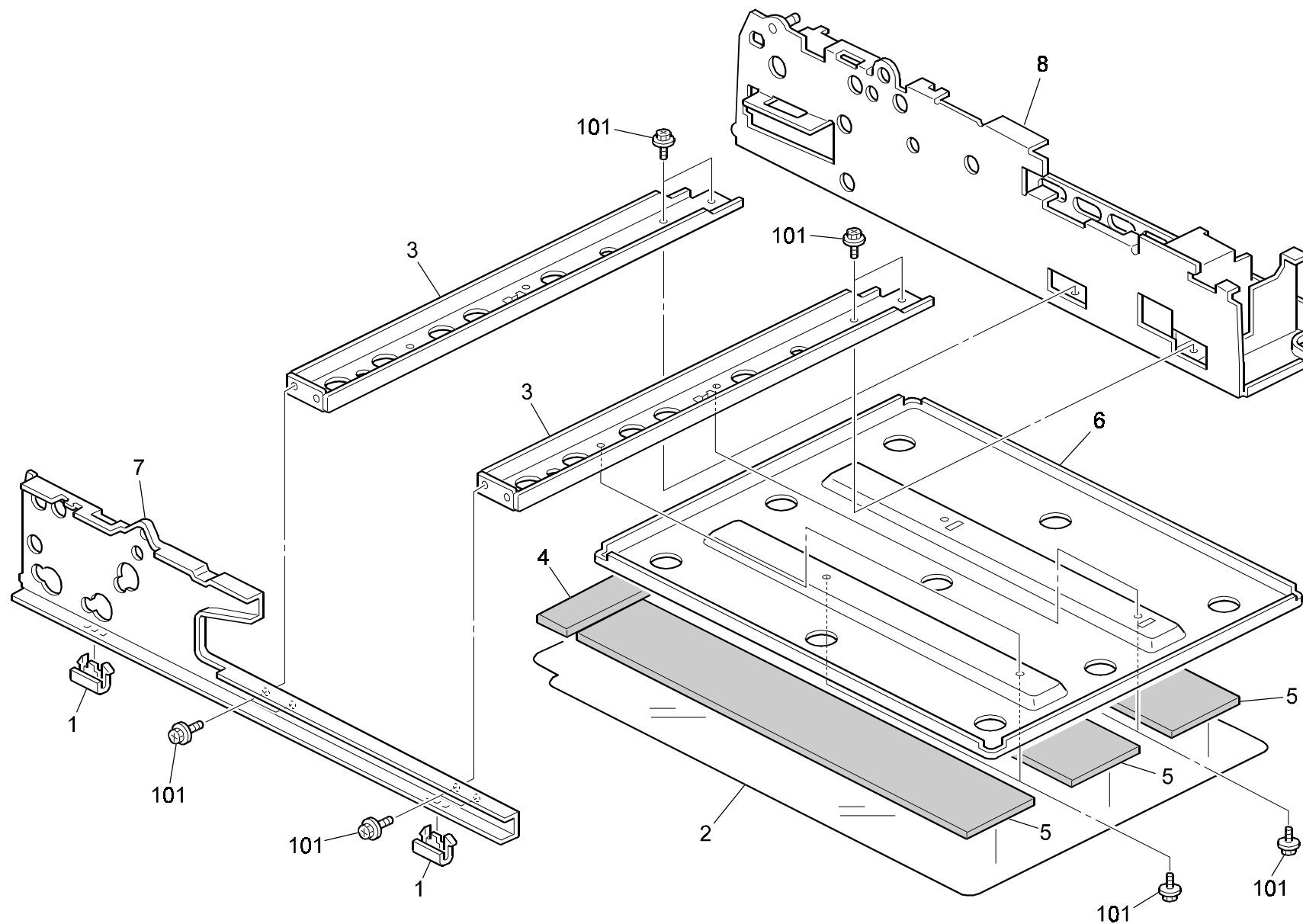


6.ARDF 6 (A858)

Index No.	Part No.	Description	Q'ty Per Assembly
1	A858 5800	Interface Harness	1
2	A859 5700	Main Harness	1
3	A858 1831	Right Hinge	1
4	A859 1841	Filler DF Open Sensor	1
5	A334 4678	Rack Shield Mylar	1
6	A859 1122	Right Sensor Bracket	1
7	AW02 0075	Photointerruptor	1
8	A858 5510	Main Control Board	1
9	A858 5707	Transport Motor Harness	1
10	A859 4421	DC Solenoid	1
11	A028 3264	Stopper Cushion	1
12	A859 4411	Bracket Solenoid	1
13	5206 2686	Snap Ring	1
14	A859 4121	Stepper Motor - DC6.2W	2
15	A661 1884	Pulley - 20T/48T	2
16	A859 4171	Timing Belt - 2XL	3
17	A859 1131	Insulating Sheet	1
18	5304 1639	Bushing - 8mm	1
19	A859 1315	Bracket Electromagnetic Clutch	1
20	AX21 0071	Electromagnetic Clutch - 30z	1
21	A858 4111	Bracket Motor	1
22	A858 1811	Left Hinge	1
23	A859 4197	Tension Spring Motor	1
24	A859 1121	Fille APS	1
25	A859 2358	Solenoid Spring	1
26	A858 5703	Paper Feed Motor Harness	1
27	A858 5701	Exit Sensor Harness	1
28	A858 4131	Adjusting Pin Idler	1
29	A859 4141	Pulley Idler	1
30	A858 4251	Coupled Pulley - 20/32z	1
31	A858 4261	Timing Belt - 2XL	1
32	A858 4134	Tension Spring Idler	1
33	A858 4181	Timing Belt - 2XL	1
34	5447 2681	Snap Ring	1
35	A858 4431	DC Solenoid - 24V	1

Index No.	Part No.	Description	Q'ty Per Assembly
101	0451 3006B	Tapping Screw - M3x6	
102	0451 4006B	Tapping Screw - 4x6	
103	0951 3006B	Philips Screw With Flat Washer - M3x6	
104	0720 0040B	Retaining Ring - M4	
105	1105 0310	Harness Clamp - LWS-1S	
106	0452 3008B	Tapping Screw - M3x8	
107	0353 0040B	Screw - M3X4	

7.ARDF 7 (A858)



7.ARDF 7 (A858)

Index No.	Part No.	Description	Q'ty Per Assembly
1	A859 1221	Spacer	2
2	A859 3611	Sheet Platen Cover	1
3	A859 1511	Middle Stay	2
4	A859 3614	Sponge Left Platen Cover	1
5	A859 3613	Sponge Platen Cover	3
6	A859 3615	Base Platen Cover	1
7	A859 1211	Front Side Plate	1
8	A859 1110	Rear Side Plate	1

Index No.	Part No.	Description	Q'ty Per Assembly
101	0451 3006B	Tapping Screw - M3x6	

8.DECAL AND DOCUMENT 8A858)

<p>1</p>	<p>2</p>		
<p>3</p>	<p>4</p>		
<p>5</p>	<p>6</p>	<p>7</p>	<p>8</p>

8.DECAL AND DOCUMENT 8A858)

Index No.	Part No.	Description	Q'ty Per Assembly
1	A858 6011	Decal Misfeed Removal	1
2	A859 6021	Decal Size Indication	1
3	A859 6052	Decal Exposure Glass	1
4	A858 6051	Decal Scale	1
4	A859 6061	Decal Original Scale LT	1
5	A859 6041	Decal Side Fence	1
6	A859 6031	Decal Paper Tray	1
7	A858 6022	Decal Blue	2
8	A859 6023	Decal Green	1

Index No.	Part No.	Description	Q'ty Per Assembly

PARTS INDEX

PM Parts Index

Section Name	Part No.	Description in Service Manual	Description in Parts Catalog	Q'ty Per Assembly	Page and Index No
ARDF 3 (A858)	A859 2141	Belt Paper Feed	Belt Paper Feed	1	7- 15
	A859 2241	Reverse Roller	Reverse Roller	1	7- 2
	A859 2161	Pickup Roller	Pickup Roller	1	7- 29

Parts Index

Part No.	Description	Page and Index No.
A858 1811	Left Hinge	13- 22
A858 1831	Right Hinge	13- 3
A858 2313	Spring Plate Pressure Roller Feed	5- 36
A858 2319	Feeler Reverse	5- 34
A858 3140	Reverse Roller Drive	9- 27
A858 3231	Guide Plate Reverse	11- 22
A858 3236	Discharge Brush L50	11- 23
A858 3710	Exchange Powl Reverse	9- 24
A858 3715	Lever Exchange Powl	9- 31
A858 3717	Tension Spring Exchange Powl	9- 30
A858 4111	Bracket Motor	13- 21
A858 4131	Adjusting Pin Idler	13- 28
A858 4134	Tension Spring Idler	13- 32
A858 4181	Timing Belt - 2XL	13- 33
A858 4221	Gear - 31Z	7- 37
A858 4231	Gear - 20Z	7- 35
A858 4251	Coupled Pulley - 20/32z	13- 30
A858 4261	Timing Belt - 2XL	13- 31
A858 4392	Torque Limiter	9- 23
A858 4431	DC Solenoid - 24V	13- 35
A858 4671	Roller Driven	5- 37
A858 4676	Spring Plate Pressure Roller	5- 38
A858 4681	Sheet - Paper Tray	5- 18
A858 4861	Tray Reverse	9- 26
A858 5510	Main Control Board	13- 8
A858 5701	Exit Sensor Harness	13- 27
A858 5703	Paper Feed Motor Harness	13- 26
A858 5706	Reverse Sensor Harness	5- 35
A858 5707	Transport Motor Harness	13- 9
A858 5800	Interface Harness	13- 1
A858 6011	Decal Misfeed Removal	17- 1
A858 6011	Decal Misfeed Removal	3- 9
A858 6022	Decal Blue	5- 33
A858 6022	Decal Blue	17- 7
A858 6051	Decal Scale	3- 20

Part No.	Description	Page and Index No
A858 6051	Decal Scale	17- 4

Part No.	Description	Page and Index No.
AA06 3311	Transport Roller Spring	3- 11
AA06 3315	Spring - Belt Drive Shaft	7- 12
AA06 3318	Spring - Belt Guide Roller	7- 21
AA13 2013	Spacer	7- 11
AC01 3004	Exposure Glass	3- 17
AW01 0076	Photosensor - PS-117D1	11- 3
AW01 0087	Photo Sensor - Ass'y	5- 31
AW02 0075	Photointerruptor	13- 7
AW02 0075	Photointerruptor	7- 9
AW02 0075	Photointerruptor	5- 11
AX21 0071	Electromagnetic Clutch - 30z	13- 20
G012 1531	Magnet	5- 22
H060 2126	Bushing - M6x7	5- 2
H511 5006	Stamper	11- 20

Part No.	Description	Page and Index No.
A028 3264	Stopper Cushion	13- 11
A247 2900	Torque Limiter - 53MNXM	7- 3
A334 4678	Rack Shield Mylar	13- 5
A351 4951	Left Side Guide Pad	5- 19
A590 2214	Screw - M3X5	9- 22
A628 1225	Bushing - 8mm	7- 14
A628 3115	Knob Screw - M4	3- 2
A628 3118	Screw Driver - DF	3- 21
A661 1884	Pulley - 20T/48T	13- 15
A697 1125	Stepped Screw - Lever	9- 3
A859 1110	Rear Side Plate	15- 8
A859 1121	Fille APS	13- 24
A859 1122	Right Sensor Bracket	13- 6
A859 1123	Bracket Sensor	7- 10
A859 1131	Insulating Sheet	13- 17
A859 1181	Magnet Catch	9- 5
A859 1211	Front Side Plate	15- 7
A859 1221	Spacer	15- 1
A859 1311	Left Stay	11- 5
A859 1315	Bracket Electromagnetic Clutch	13- 19
A859 1320	Bracket Transport Roller	11- 8
A859 1322	Spring Plate	11- 2
A859 1511	Middle Stay	15- 3
A859 1610	Separation Stay	7- 6
A859 1621	Separation Guide	7- 5
A859 1710	Left Lower Stay	9- 16
A859 1721	Left Lower Guide	9- 14
A859 1722	Entrance Guide	9- 15
A859 1841	Filler DF Open Sensor	13- 4
A859 2100	Belt Unit Paper Feed	7- 38
A859 2110	Belt Holder	7- 20
A859 2112	Drive Shaft Paper Feed Belt	7- 22
A859 2113	Drivem Roller Paper Feed Belt	7- 23
A859 2114	Drive Roller Paper Feed Belt	7- 16
A859 2120	Drive Shaft Paper Feed Belt	7- 19

Part No.	Description	Page and Index No.
A859 2121	Gear - 22Z	7- 17
A859 2131	Rear Guide Paper Feed	7- 18
A859 2132	Front Guide Paper Feed	7- 13
A859 2141	Belt Paper Feed	7- 15
A859 2151	Holder Pick Up	7- 25
A859 2161	Pickup Roller	7- 29
A859 2162	Shaft Pick Up Roller	7- 24
A859 2163	Collar Pick Up	7- 30
A859 2164	Pulley - 2Z	7- 31
A859 2166	Timing Belt - 2XL	7- 32
A859 2167	Gear - 22Z	7- 26
A859 2168	Pulley - 22Z	7- 27
A859 2210	Shaft Reverse Roller	7- 34
A859 2220	Cover Reverse Roller	7- 1
A859 2230	Ball Bearing - 6x13x5	9- 19
A859 2230	Ball Bearing - 6x13x5	7- 8
A859 2241	Reverse Roller	7- 2
A859 2311	Guide Plate Paper Feed	5- 6
A859 2315	Separation Pad	5- 10
A859 2317	Guide Separation Pad	5- 9
A859 2318	Cushion Base	5- 8
A859 2351	Base Paper Feed	5- 17
A859 2352	Pad Pressure Plate	5- 16
A859 2353	Pressure Plate Base	5- 13
A859 2354	Shaft Base	5- 14
A859 2355	Lever Pressure Plate	5- 4
A859 2356	Cushion Base Bottom	5- 32
A859 2358	Solenoid Spring	13- 25
A859 3110	Transport Roller	11- 9
A859 3120	Transport Roller Middle	11- 10
A859 3130	Exit Roller Drive	9- 18
A859 3210	Guide Plate Transport Roller	11- 1
A859 3220	Guide Plate Upper Exit	11- 13
A859 3225	Discharge Brush	9- 25
A859 3311	Transport Driven Roller	9- 10

Part No.	Description	Page and Index No.
A859 3313	Driven Shaft Pressure	9- 11
A859 3316	Lever Pullout	9- 8
A859 3317	Shaft Contact Point	9- 6
A859 3318	Torsion Spring Front	9- 7
A859 3319	Torsion Spring Rear	9- 9
A859 3411	Exit Guide Plate	11- 15
A859 3412	Shaft Exit Guide Plate	11- 17
A859 3413	Cover Exit Guide Plate	11- 21
A859 3420	Middle Driven Roller	11- 18
A859 3425	Spring Plate	11- 19
A859 3430	Spring Rear	11- 14
A859 3431	Spring Front	11- 11
A859 3511	Guide Exposure Glass	9- 17
A859 3611	Sheet Platen Cover	15- 2
A859 3613	Sponge Platen Cover	15- 5
A859 3614	Sponge Left Platen Cover	15- 4
A859 3615	Base Platen Cover	15- 6
A859 4121	Stepper Motor - DC6.2W	13- 14
A859 4141	Pulley Idler	13- 29
A859 4171	Timing Belt - 2XL	13- 16
A859 4197	Tension Spring Motor	13- 23
A859 4216	Shaft Electromagnetic Clutch	7- 33
A859 4222	Flange - Pulley	7- 36
A859 4271	Pulley - 31/32Z	9- 20
A859 4272	Flange	9- 21
A859 4311	Adjusting Pin-m6	9- 29
A859 4321	Pulley-20z	9- 28
A859 4331	Timing Belt - 2XL	9- 2
A859 4341	Tension Spring	9- 4
A859 4411	Bracket Solenoid	13- 12
A859 4421	DC Solenoid	13- 10
A859 4621	Paper Tray	5- 24
A859 4631	Paper Tray Behind	5- 7
A859 4661	Rack Front Side Fence	5- 28
A859 4662	Rack Rear Side Fence	5- 25

Part No.	Description	Page and Index No.
A859 4663	Electrode Plate Side Fence	5- 26
A859 4665	Gear - 16Z	5- 27
A859 4710	Side Fence Front	5- 20
A859 4720	Side Fence Back	5- 5
A859 4811	Front Cover	3- 1
A859 4821	Rear Cover	3- 15
A859 4831	Upper Cover	3- 14
A859 4836	Bushing Exit Driven Roller	3- 12
A859 4837	Exit Driven Roller	3- 13
A859 4841	Left Cover	3- 8
A859 4851	Left Lower Cover	9- 12
A859 4856	Cover Driven	9- 13
A859 4871	Actuator - Original Sensor	3- 5
A859 4872	Actuator Bracket	3- 6
A859 4873	Positioning Plate	3- 4
A859 4876	Cushion Left	5- 15
A859 4881	Cushion Paper Feed	3- 7
A859 5550	Paper Size Sensor Board	5- 30
A859 5700	Main Harness	13- 2
A859 5702	Original Tray Harness	5- 29
A859 5705	Sensor Relay Harness	5- 12
A859 5705	Sensor Relay Harness	11- 4
A859 6021	Decal Size Indication	17- 2
A859 6021	Decal Size Indication	3- 10
A859 6023	Decal Green	17- 8
A859 6023	Decal Green	11- 16
A859 6031	Decal Paper Tray	17- 6
A859 6031	Decal Paper Tray	5- 23
A859 6041	Decal Side Fence	5- 21
A859 6041	Decal Side Fence	17- 5
A859 6052	Decal Exposure Glass	3- 19
A859 6052	Decal Exposure Glass	17- 3
A859 6061	Decal Original Scale LT	3- 20
A859 6061	Decal Original Scale LT	17- 4
A859 7101	Scale	3- 16

Part No.	Description	Page and Index No
A859 7211	Stepped Screw	3- 18

Part No.	Description	Page and Index No.
5053 0447	Bushing - 6mm	7- 4
5053 0447	Bushing - 6mm	9- 32
5053 0447	Bushing - 6mm	11- 7
5206 2686	Snap Ring	7- 28
5206 2686	Snap Ring	13- 13
5215 2621	Snap Ring - M6	5- 3
5304 1639	Bushing - 8mm	11- 6
5304 1639	Bushing - 8mm	13- 18
5304 1639	Bushing - 8mm	7- 7
5446 2824	Screw - Duplex Guide Plate	3- 3
5446 2824	Screw - Duplex Guide Plate	9- 1
5447 2681	Snap Ring	9- 33
5447 2681	Snap Ring	11- 12
5447 2681	Snap Ring	5- 1
5447 2681	Snap Ring	13- 34

Part No.	Description	Page and Index No.
0353 0040B	Screw - M3X4	13-107
0450 3008B	Tapping Screw - M3x8	5-103
0451 3006B	Tapping Screw - M3x6	7-105
0451 3006B	Tapping Screw - M3x6	13-101
0451 3006B	Tapping Screw - M3x6	11-101
0451 3006B	Tapping Screw - M3x6	3-101
0451 3006B	Tapping Screw - M3x6	9-101
0451 3006B	Tapping Screw - M3x6	15-101
0451 3006B	Tapping Screw - M3x6	5-101
0451 3008H	Tapping Screw - 3x8	3-103
0451 4006B	Tapping Screw - 4x6	13-102
0451 4014B	Tapping Screw - M4x14	11-102
0452 3008B	Tapping Screw - M3x8	3-102
0452 3008B	Tapping Screw - M3x8	13-106
0452 3008B	Tapping Screw - M3x8	5-102
0452 3008B	Tapping Screw - M3x8	11-106
0632 0100	Parallel Pin - M2x10	7-106
0720 0030B	Retaining Ring - M3	7-107
0720 0030B	Retaining Ring - M3	9-103
0720 0040B	Retaining Ring - M4	7-102
0720 0040B	Retaining Ring - M4	9-102
0720 0040B	Retaining Ring - M4	11-104
0720 0040B	Retaining Ring - M4	13-104
0720 0060B	Retaining Ring - M6	7-103
0720 0060B	Retaining Ring - M6	11-103
0802 5265	Tapping Screw - M3x6	7-101
0951 3006B	Philips Screw With Flat Washer - M3x6	13-103
1105 0310	Harness Clamp - LWS-1S	13-105
1105 0310	Harness Clamp - LWS-1S	7-104
1106 0193	Bushing - 7.9mm	11-105
1106 0193	Bushing - 7.9mm	7-108